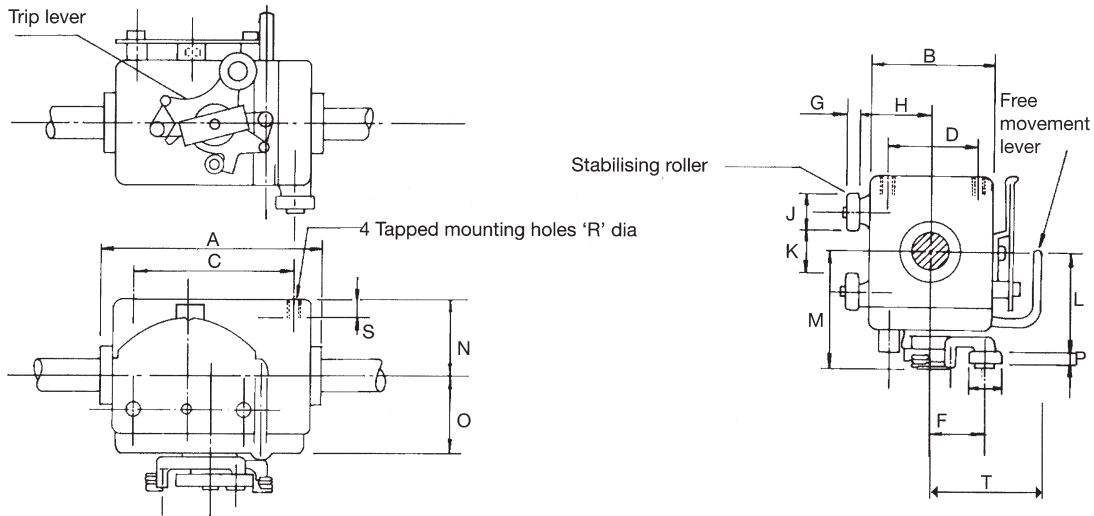


**Table 1**

Model	Shaft Dia (mm)	Traverse mm/rev Max	Maximum Side Thrust 'N'		Weight Kg	Dimensions (mm)																	
			100rpm	1000rpm		A	B	C	D	E	F	G	H	J	K	L	M	N	O	P	R	S	T
RT15	15	11	130	110	1.0	96	53	36	32	16	22 25	5	32	16	20	39	47	33	30	5	M5	8	45
RT20	20	16	170	160	1.8	126	70	70	40	19	33 37	6	40	19	32	54	62	44	41	6	M6	10	60
RT30	30	24	280	260	3.3	144	86	80	50	25	45 52	7	47	22	40	67	76	55	51	8	M6	10	65
RT40	40	32	450	420	8.0	204	112	160	68	32	63 60	8	59	26	50	76	91	67	66	9	M10	12	95



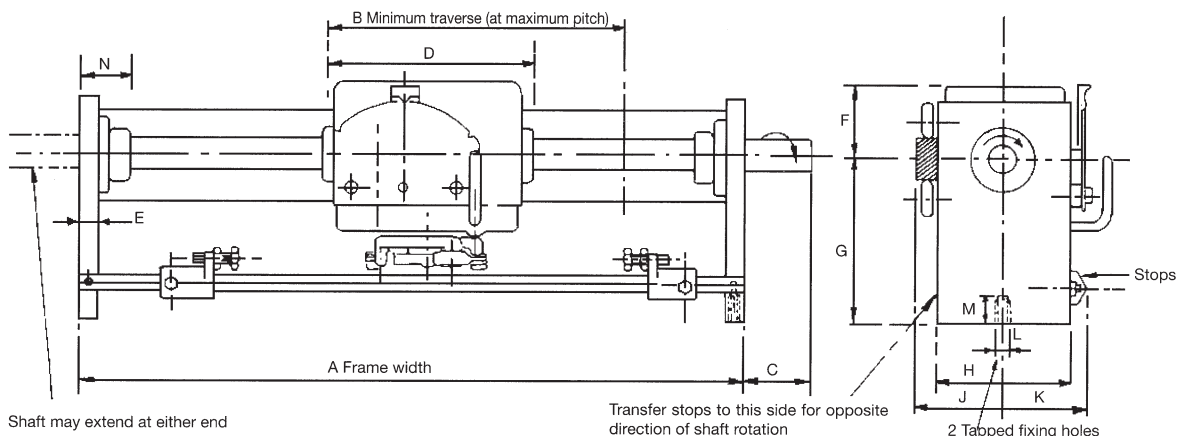
**Table 2**

Model	Shaft Dia. (mm)	Frame Length A	Minimum Traverse B	Shaft Extension C	Standard Dimensions (mm)									
					D	E	F	G	H	J	K	L	M	N
RTA15	15	As	15	As	96	10	33	75	60	40	37	M6	15	28
RTA20	20	Required	30	Required	126	13	44	104	70	47	52	M10	15	34
RTA30	30	See Note	40	See Note	144	16	55	120	90	60	66	M12	15	38
RTA40	40	(1) below	42	(2) below	204	20	67	150	120	80	85	M16	25	45

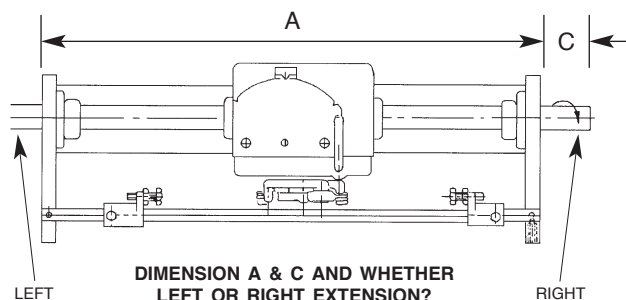
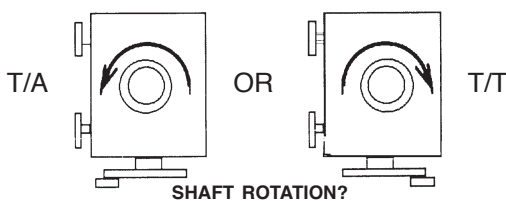
**Notes:**

(1) Frame length (dimension A). The frame length for your application is calculated as  $A = (2 \times N) + D + \text{required maximum traverse distance}$ .

(2) Shaft extension (dimension C) will be supplied to your requirement. Please specify the length, whether extending to left or right, and whether any machining is required.



**PLEASE SUPPLY THE FOLLOWING INFORMATION WHEN ORDERING**



**Carr Lane Industrial Estate, Hoylake CH47 4AZ, England**

Tel: +44 (0)870 907 0017 Fax: +44 (0)870 907 0016

E-mail: sales@marldon.com Web: www.marldon.com